

Health Care Door Systems

Manual Sliding and Swinging Door Systems Series TX9600 ICU/CCU Track and Trackless Door Systems



Ideal For:

- Health Care Facilities
- Hospital ICU/CCU Patient Areas
- Laboratories
- Nursing Homes
- Processing Areas
- General Office
- Waiting Areas
- Surgical Suites
- Data/Record Centers
- Diagnostic/X-Ray Equipment Areas

★★★★★
TORMAX
AUTOMATIC

HEALTH CARE DOORS

The TX9600 Series Health Care Door system is available as a new Intensive Care Unit (ICU) and Cardiac Care Unit (CCU) sliding door system. This is a manual sliding door system specifically designed to meet the requirements of hospital intensive care and cardiac care patient areas.

The ICU and CCU sliding doors are available in a trackless or track type design with two, three and four panel construction and in a three panel telescoping configuration. All designs are available with and without transoms. Single and double swing door systems with matching slim line horizontal sightlines are also available with and without transoms.

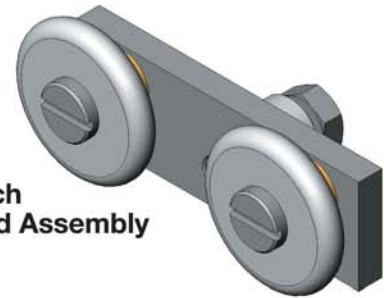
The Health Care Slide and Swing Door Systems utilize the same high quality construction of our automatic sliding doors systems. Heavy duty extruded aluminum header, vertical framing members and interlocked panel design. The sliding doors feature nylon roller assemblies with precision ball bearings ensure consistent performance and years of trouble free operation.

The TX9600 Series ICU is a manually operated sliding door system highly regarded for its durability and ease of use. The unit separates office, laboratory and patient areas and provides for a noiseless environment. With broad glass panels, patients are always in full view, yet in a quiet comfortable environment. Units are electrostatic grounded to prevent static discharge.

Easy access for hospital staff is always convenient using the door system as a manual swing or sliding door. No matter how demanding your hospital or health care facility door requirements, Tormax has the solution.

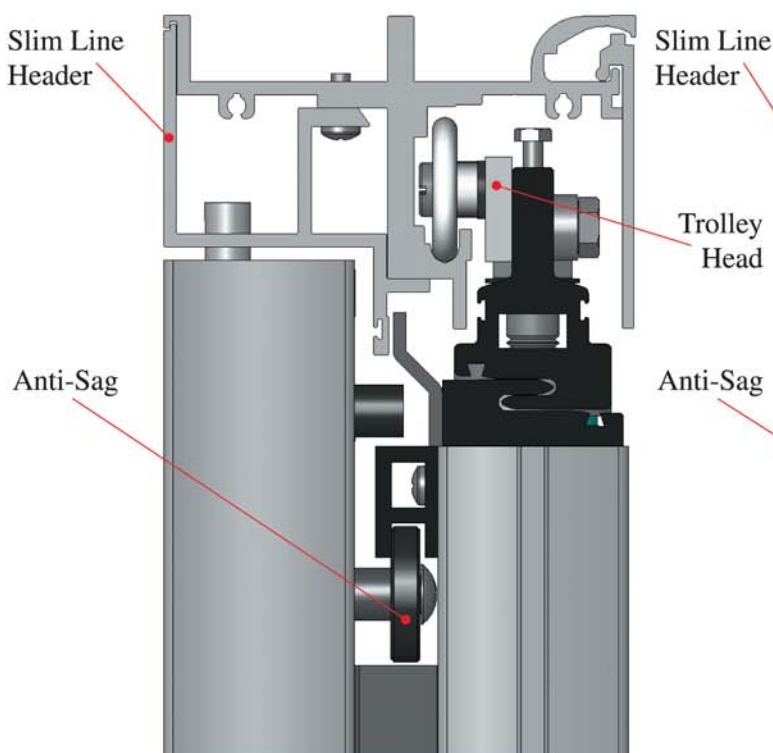
The construction features of TORMAX Health Care Door Systems are unique to our industry, and are based on Swiss precision mechanical engineering principles. The attention to technology in all Tormax designs assures your facility fault free performance and **lowest total cost of ownership over time.**

Tormax manufactures a wide variety of automatic sliding, swinging, folding and handi-capped access door systems, ideally suited for healthcare environments. Contact us for immediate response on all of your door needs. Refer to back cover for contact information.

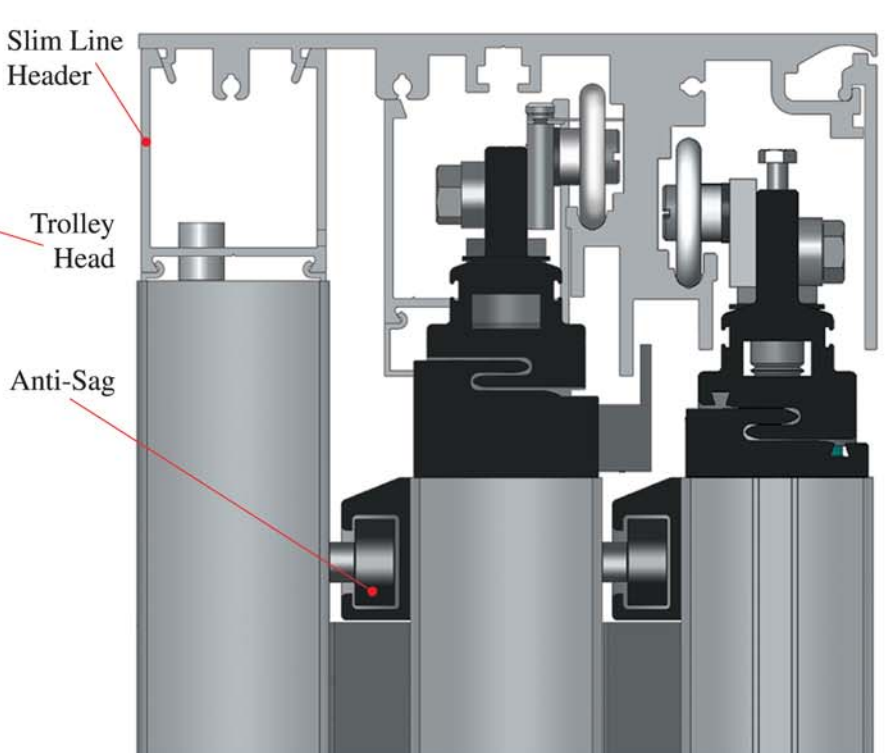


■ **Gentle Touch
Trolley Head Assembly**

Series TX9600TL Trackless Design



Series TX9630TL Telescoping Trackless Design





Series TX9600TL & TX9630TL Trackless

Feature Benefit

Trackless Type Design

The unique concealed bottom guide system eliminates unsightly floor mounted transfer pivots that are common with other makes and models.

Trackless Design – Unique sag free construction keeps panels aligned without the need of an unsightly floor track. Provides for smooth transition of sensitive medical equipment between rooms and allows for undisturbed gentle patient movement. Eliminates buildup of potential contaminants in floor tracks and makes cleaning under the panels as simple as cleaning any floor.

Complete Flexibility of Operation



1. Manually slide the door to the full open position



2. Release the flush bolt

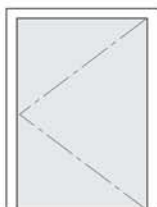


3. Breakaway both panels together as a pivoting unit

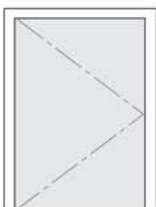


4. Swing open panels to 90 degrees

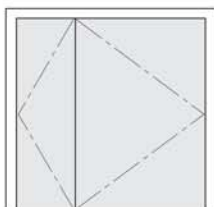
Manual Swing Door Available Configurations



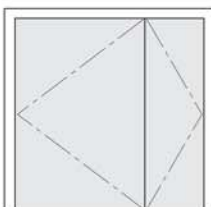
One Panel



One Panel



Two Panel



Two Panel

For additional information consult www.tormaxusa.com

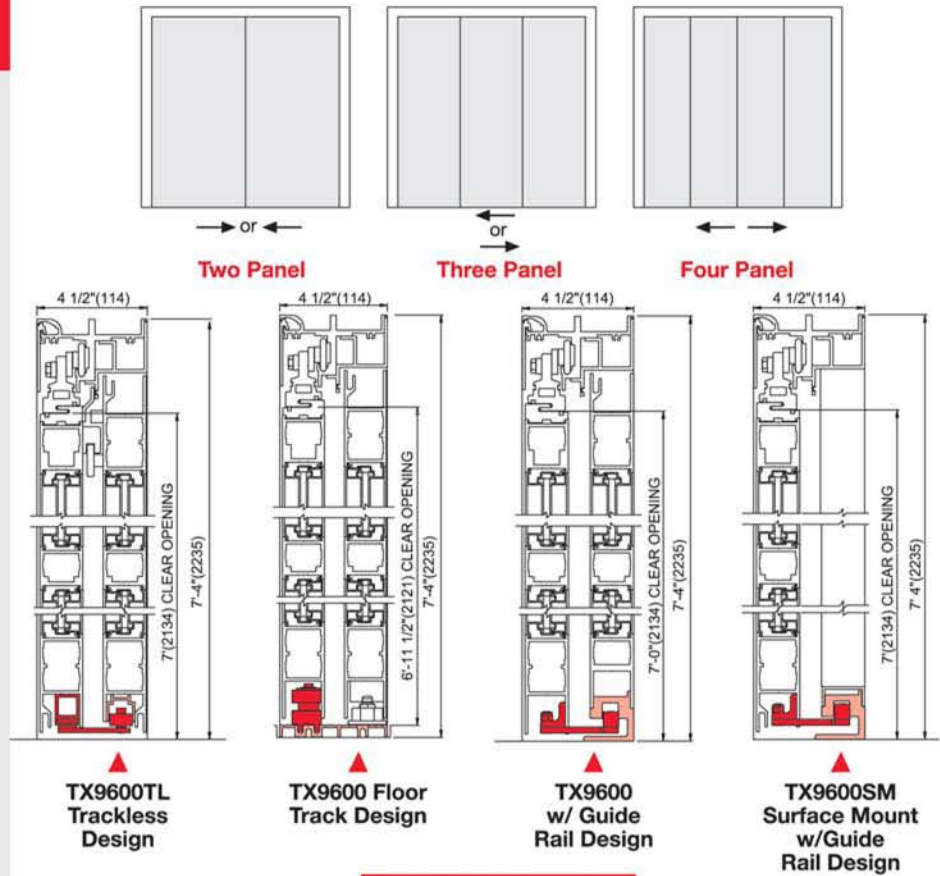
- Slim Line Header Profile Featuring Two, Three, and Four Panel Units w/and Without Transom
- Telescoping Units Available w/and Without Transom Provides Two Thirds the Door Opening
- Manual Swing Door Design With Slim Line Header Profile; Available in One or Two Panel Design, Provides for Uniform Sightlines
- Trackless Design - No Floor Track or Threshold Required
 - Eliminates Buildup of Potential Contaminants in Floor Tracks
 - Provides for Smooth Transition of Sensitive Medical Equipment Between Rooms
- Attractive Slim Line Construction
 - Aesthetically Pleasing
- Hinged Access Cover Provides for Ease of Access for Preventative Maintenance
- Units are Electrostatic Grounded to Prevent Static Discharge
- Sliding Doors (SX) and Adjacent Swing Out (SO) Panels Breakaway to 90 Degrees. Quick and Easy Access to Patients Is Assured
- Panels are Sized to Eliminate Pinch Points
- Anti-Sag /Riser Roller Support - Prevents Doors From Derailing and Provides Sag-Free Construction and Support for Panel Breakout
- Sliding Panel Restrictor Bracket Prevents Accidental Breakout
- Unique Concealed Bottom Guide System Eliminates Floor Mounted Transfer Pivots
- Large Expansive Glazed Panels for Visibility to Patients and Waiting Areas
- Aluminum Panels With Minimum 1/8" (3) Wall Thickness
- Heavy Duty Interlocked Panel Design Provides for Consistent Performance Through Heavy Use
- Security Glazing Stops for 1/4" (6), 5/8" (16) and 1" (25) Insulated Glass
- Insulated Glass Panels Limit Sound Migration Between Medical, Patient and Waiting Areas
- Each Sliding Panel is Supported by (2) Gentle Touch Trolley Head Assemblies. Each Consisting of (2) Nylon Wheels With Precision Steel Lifetime Lubricated Closed Ball Bearings for Prolonged Life. Doors Slide With Quite Efficiency and Minimal Effort
- Pull Handles Provide for Ease of Door Movement
- Vertical Door Adjustment Provides for Ease of Installation
- Vinyl Weather-stripping Eliminates Contaminant Buildup and Easy to Clean
- Available in Clear and Dark Bronze Anodized Finishes (other anodized finishes, painting and metal cladding available upon request)

Series TX9600 & TX9620 With Guide Track

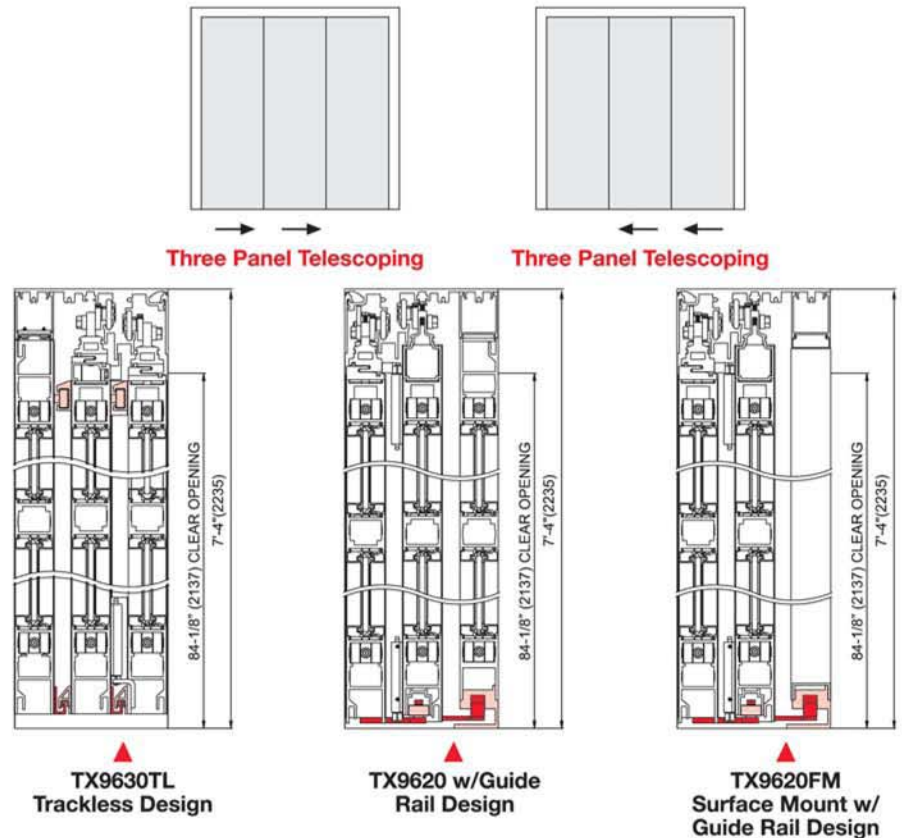
Feature Benefit

- Slim Line Header Profile Featuring Two, Three, and Four Panel Units w/and Without Transom
- Telescoping Units Available w/and Without Transom Provides Two Thirds the Door Opening
- Multiple Track Type Designs Available - Guide Rail and Floor Track
- Attractive Slim Line Construction - Aesthetically Pleasing
- Hinged Access Cover Provides for Ease of Access for Preventative Maintenance
- Units are Electrostatic Grounded to Prevent Static Discharge
- Floor Track Design - Sliding Doors (SX) and Adjacent Swing Out (SO) Panels Breakaway in Any Position to 90 Degrees. Provides for Quick and Easy Access to Patients is Assured
- Guide Rail Design - Sliding Doors (SX) Breakaway In Any Position to 90 Degrees. Provides for Quick and Easy access to Patients
- Panels are Sized to Eliminate Pinch Points
- Large Expansive Glazed Panels for Visibility to Patient and Waiting Areas
- Aluminum Panels With Minimum 1/8" (3) Wall Thickness
- Heavy Duty Interlocked Panel Design Provides for Consistent Performance Through Heavy Use
- Security Glazing Stops for 1/4" (6), 5/8" (16) and 1" (25) Insulated Glass
- Insulated Glass Panels Limit Sound Migration Between Medical, Patients and Waiting Areas
- Gentle Touch Trolley Head Assemblies - Doors Slide With Quiet Efficiency and Minimal Effort
- Sliding Doors are Supported by (2) Tandem Trolley Assemblies, Each Consisting of (2) Nylon Wheels With Precision Steel Lifetime Lubricated Closed Ball Bearing Centers for Prolonged Life and Silent Operation
- Pull Handles Provide for Ease of Door Movement
- Unique Trolley Head Design Prevents Doors From Derailing
- Sliding (SX) Door Pivot Assembly Maintains Level and Sag-Free Panel During Breakout
- Vertical Door Adjustment Provides for Ease of Installation
- Vinyl Weather-stripping Eliminates Contaminant Build up and Easy to Clean
- Available in Clear and Dark Bronze Anodized Finishes (other anodized finishes, painting and metal cladding available upon request)

Available Configurations



Available Configurations



★★★★★
TORMAX
AUTOMATIC

TORMAX Technologies, Inc.
12859 Wetmore Road
San Antonio, Texas 78247
888-685-3707
210-494-3551
Fax 210-494-5930
www.tormaxusa.com
Email info@tormaxusa.com

TORMAX is a division
and a registered
trademark of
Landert Motoren AG