



TORMAX

AUTOMATIC

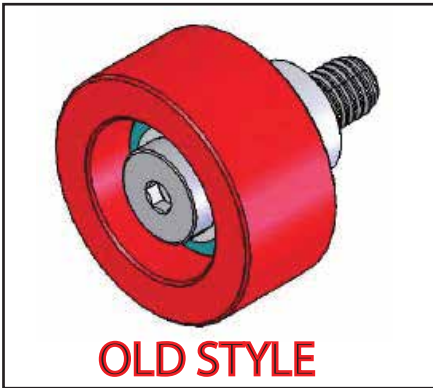
TX9600 (ICU)

PARTS CATALOGUE

TORMAX USA INC.

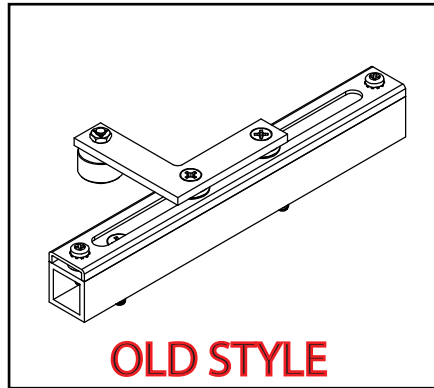
12859 Wetmore Rd.
SAN ANTONIO, TX 78247
(210) 494-3551
(210) 494-5930 [FAX]

v1.04



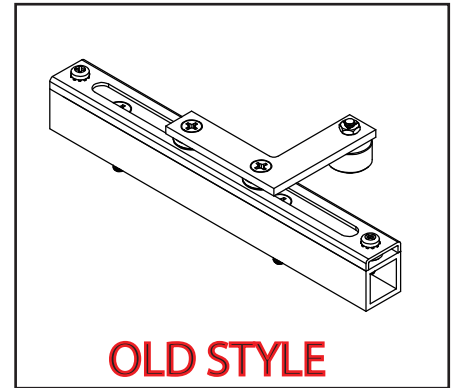
OLD STYLE

US800448
 TRACK ROLLER (BRASS)



OLD STYLE

142012
 LH BOTTOM TRACKLESS SLIDING
 GUIDE (SX/SO)



OLD STYLE

140956
 RH BOTTOM TRACKLESS SLIDING
 GUIDE (SO/SX)



OLD STYLE

141101
 SX DOOR UPPER ROLLER



OLD STYLE

142251
 LH BOTTOM BASE PLATE PIVOT



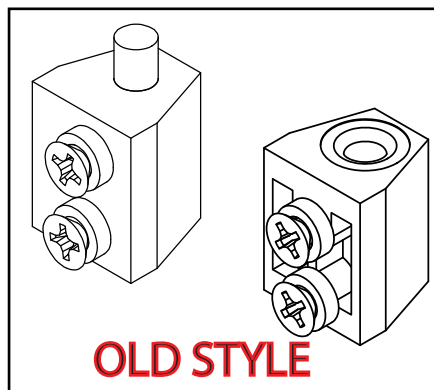
OLD STYLE

141007
 RH BOTTOM BASE PLATE PIVOT



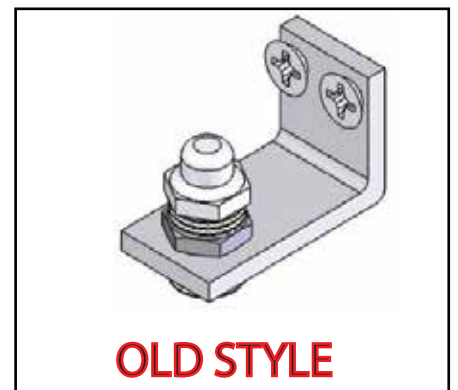
OLD STYLE

141102
 ICU SX ANTI-RISER



OLD STYLE

US800609
 SO-PANEL TOP PIVOT
 US800564
 SO-PANEL BOTTOM PIVOT



OLD STYLE

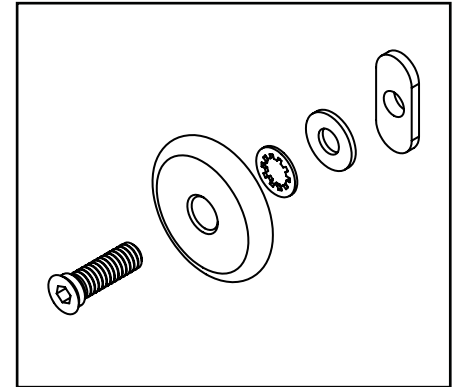
US800409
 SO-PANEL FLOOR
 FLOOR PIVOT



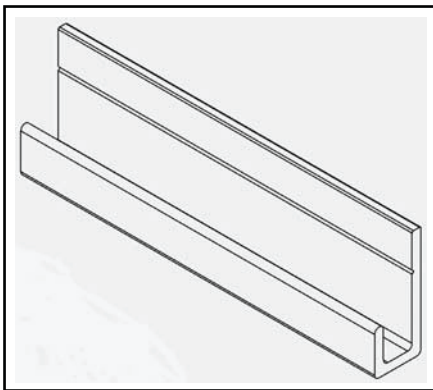
US800934
 ICU TRACKLESS ROLLER ARM
 GUIDE ASSEMBLY



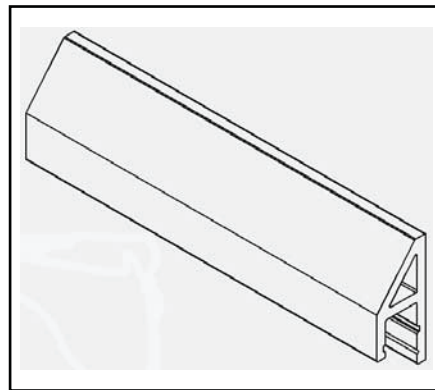
US801587
 ICU TELESCOPIC MID-SX
 PANEL BREAKOUT ROLLER
 SUPPORT (TX9630)



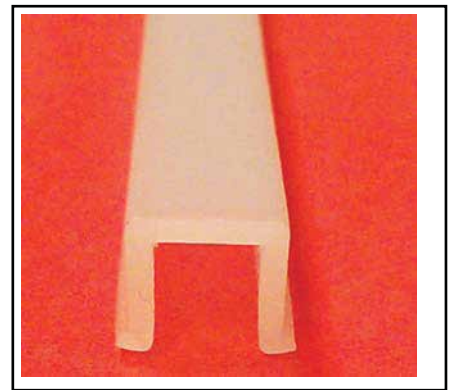
US801756
 ICU SO PANEL BREAKOUT
 ROLLER SUPPORT
 (TX9600/ TX9630)



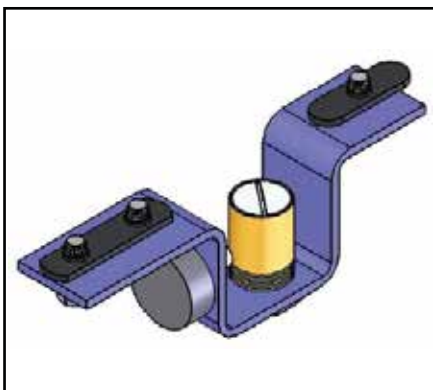
US800450
 ICU BOTTOM TRACK GUIDE



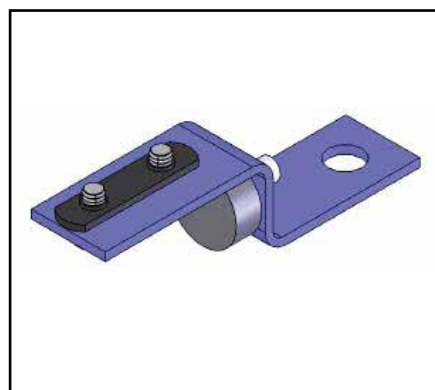
US800449
 TOP & BOTTOM TRACK HOUSING



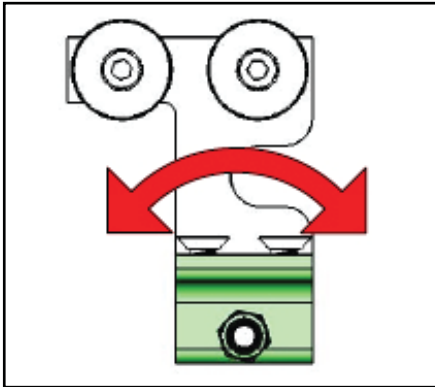
US800446
 ICU TOP/ BOTTOM TRACK
 HOUSING NYLON INSERT



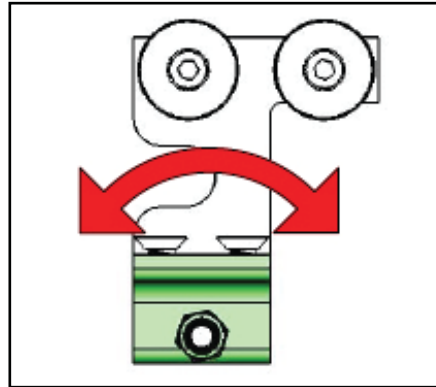
142228
 MIDDLE SX/ X-PANEL OPEN
 STOP BRACKET W/BALL DETENT



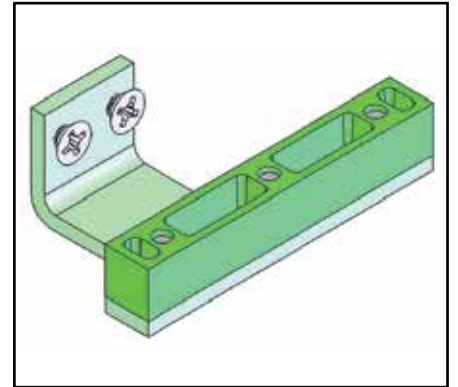
US800616
 MIDDLE SX/ X-PANEL OPEN
 STOP BRACKET



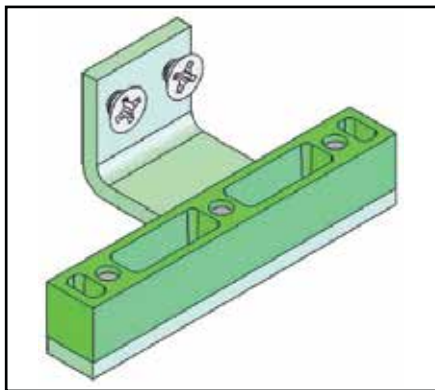
142225
 TX9620 LH BOTTOM DOOR
 GUIDE (O-X-SX) BREAKOUT
 LEAD SX-PANEL



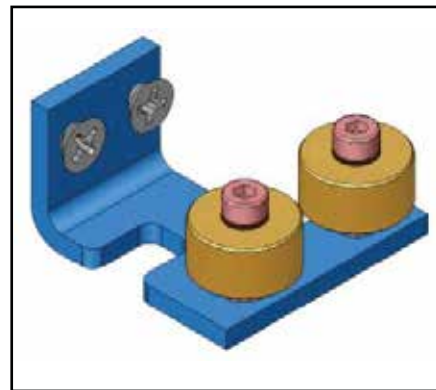
142226
 TX9620 RH BOTTOM DOOR
 GUIDE (SX-X-O) BREAKOUT
 LEAD SX-PANEL



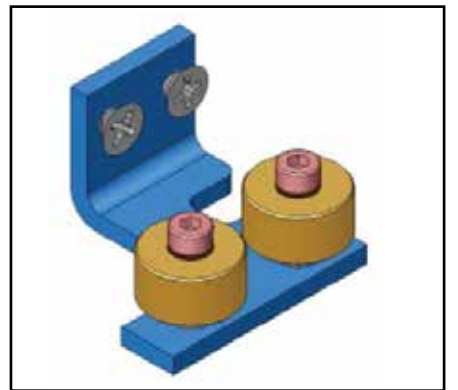
142283
 TX9620 LH BOTTOM DOOR
 GUIDE (O-X-SX) / (O-X-X)
 MID X-PANEL



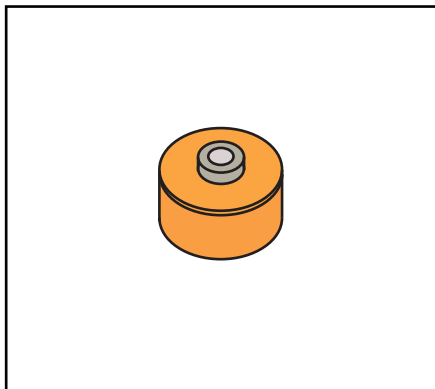
142284
 TX9620 RH BOTTOM DOOR
 GUIDE (SX-X-O) / (X-X-O)
 MID X-PANEL



142271
 TX9620 LH BOTTOM DOOR
 GUIDE (O-X-X) NON-BREAKOUT
 LEAD X-PANEL

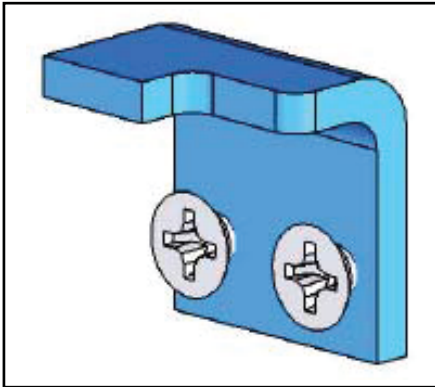


142272
 TX9620 RH BOTTOM DOOR
 GUIDE (X-X-O) NON-BREAKOUT
 LEAD X-PANEL

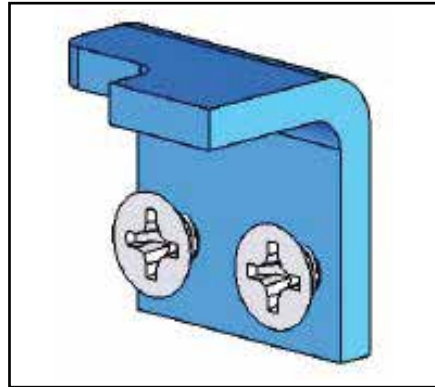


140962
 ROLLER BOTTOM
 DOOR GUIDE (RUBBER)

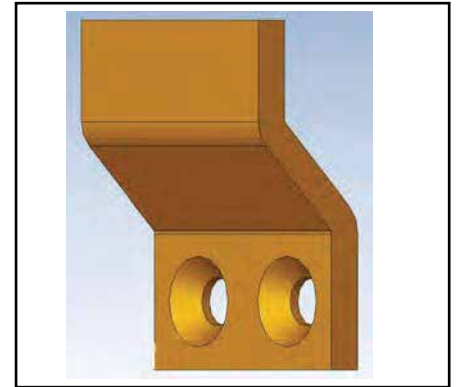




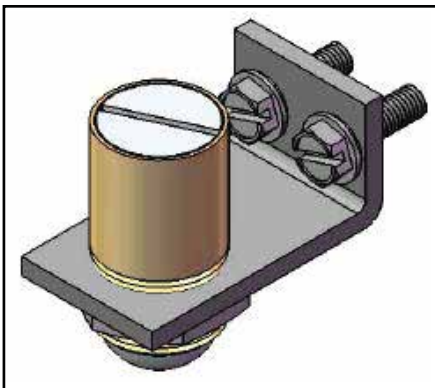
US800459
 CATCH/PULL BRACKET
 LH/SS SX LEAD PANEL



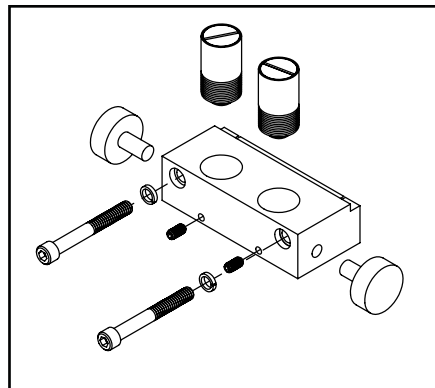
US800458
 CATCH/PULL BRACKET
 RH/SS SX LEAD PANEL



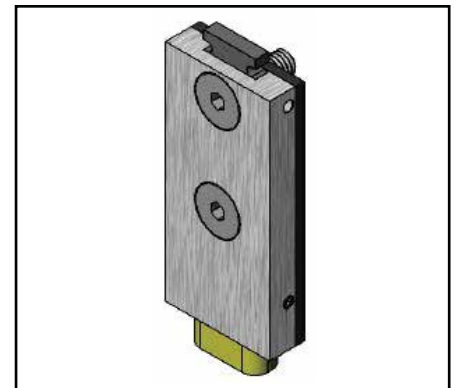
141017
 TX9600TL SWING RESTRICTOR
 FOR SX PANEL



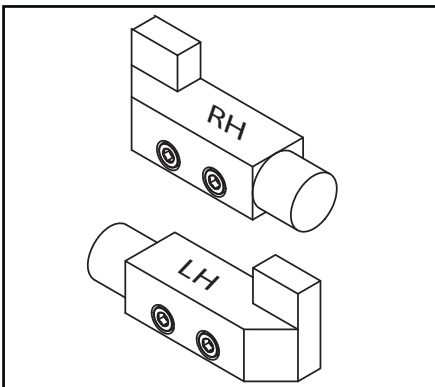
US800615
 BALL DETENT LATCH



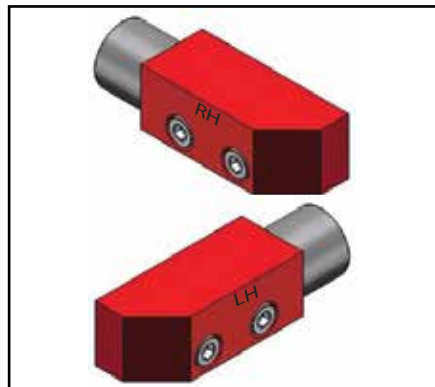
US801607
 BIPART BUMPER BRACKET
 ASSEMBLY (TELESCOPE)



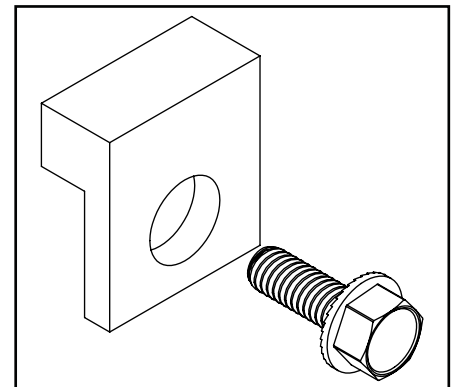
US800597
 LATCH BOLT ASSEMBLY



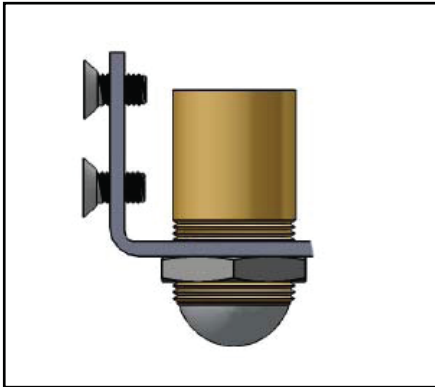
US800622 - RIGHT HAND
 US800632 - LEFT HAND
 TX9630 (FBO) BUMPER-STOP



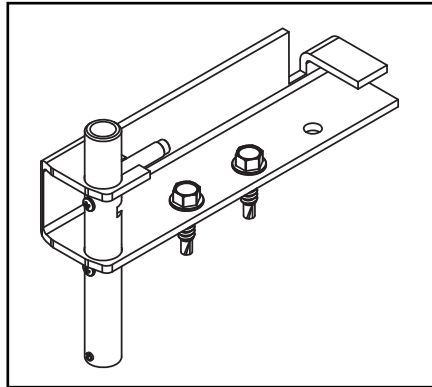
US800628 - RIGHT HAND
 US800626 - LEFT HAND
 TX9620 (FSL) BUMPER-STOP



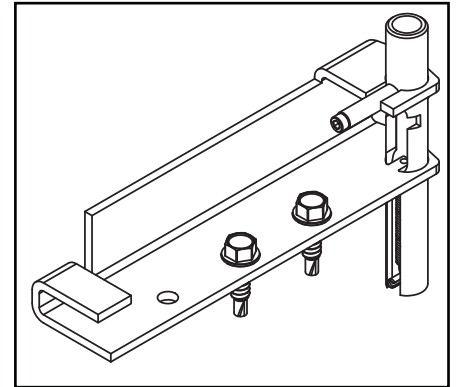
US801755
 ANTI-RISER
 MIDDLE SX-PANEL



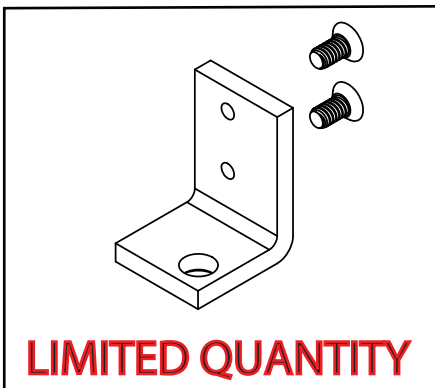
US800906
 SO PANEL BOTTOM BALL
 DETENT



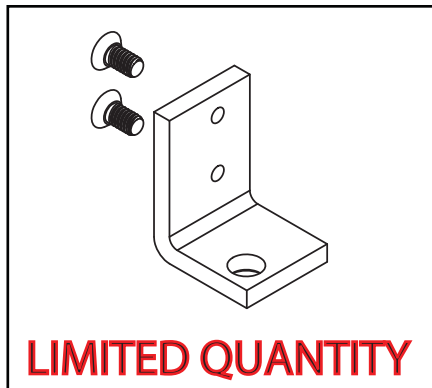
US800845
 LH SO-PANEL TOP PIVOT
 (DOOR PORTION)



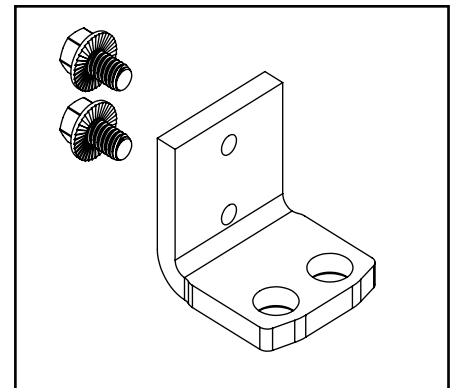
US800847
 RH SO-PANEL TOP PIVOT
 (DOOR PORTION)



LIMITED QUANTITY
 US80086
 SO-PANEL RH BOTTOM PIVOT
 ASSEMBLY RH/SS-RH BIPART
 (MFR MID 2009 TO 2013)



LIMITED QUANTITY
 US800860
 SO-PANEL LH BOTTOM PIVOT
 ASSEMBLY LH/SS-LH BIPART
 (MFR MID 2009 TO 2013)



US801660
 SO_PANEL BOTTOM PIVOT
 NON-HANDED NARROW DOOR
 STYLE DOOR PORTION
 (MFR MID 2013 CURRENT)



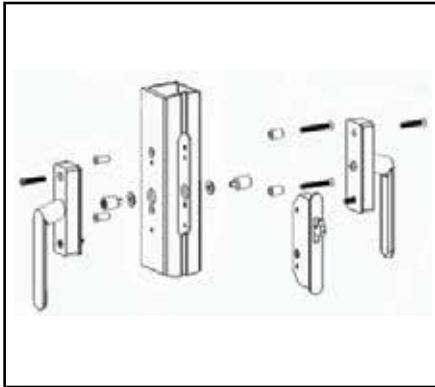
US800832
 SO-PANEL RH BOTTOM PIVOT
 JAMB PORTION (PG)



US800830
 SO-PANEL LH BOTTOM PIVOT
 JAMB PORTION (PG)



141016
 SO-PANEL BOTTOM PIVOT
 THRESHOLD APPLICATION



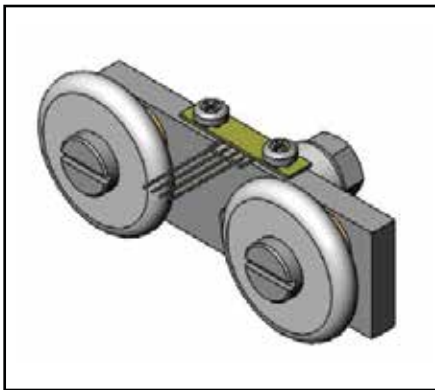
142204-01/142204-02
 POSITIVE LATCH KIT



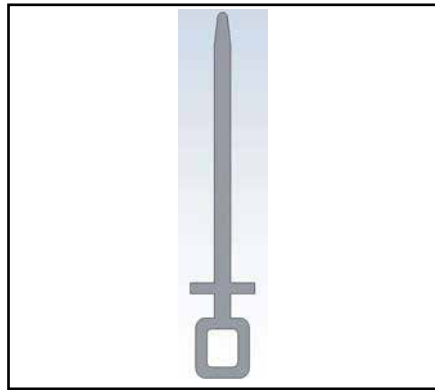
141014
 TX9600 DOOR HANDLE



140218
 RECESSED PULL HANDLE
 CHROME



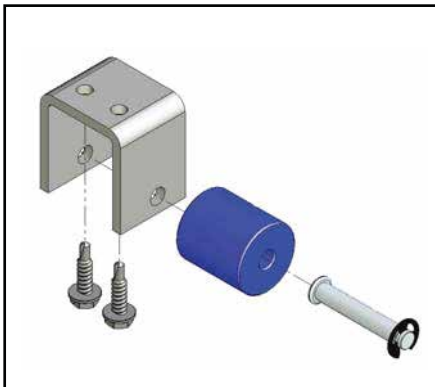
140957
 TROLLEY ASSEMBLY



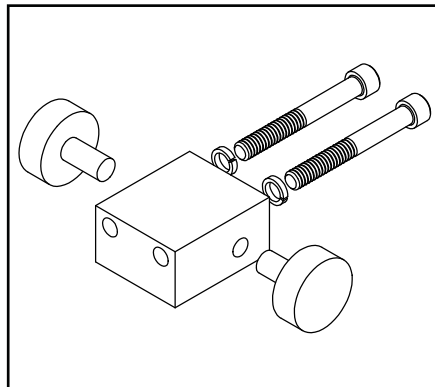
US801502
 1" SILICON FIN SMOKE SEAL



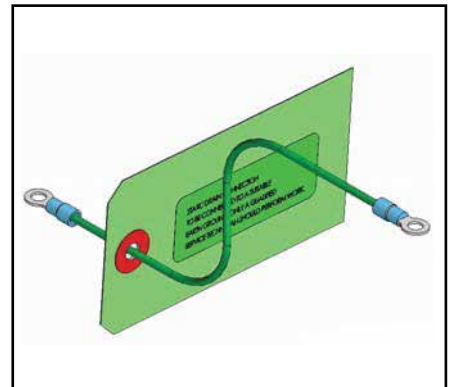
US801503
 SILICON BULB SEAL



140898
 CASTER ASSEMBLY



US800624
 BI-PART BUMPER-STOP BRACKET
 (NON-TELESCOPE)



US800394
 STATIC DRAIN HARNESS



2-29-0026-R
SX-PANEL BOTTOM GUIDE
FOR THRESHOLD APPLICATIONS



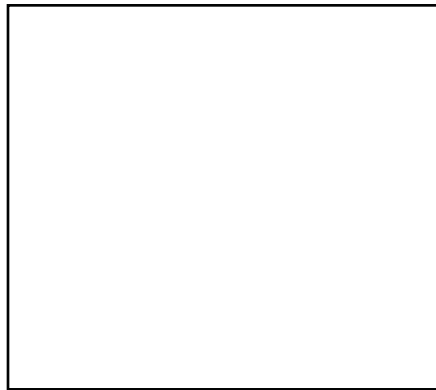
142016
LH BOTTOM DOOR GUIDE
ASSEMBLY (O-SX)



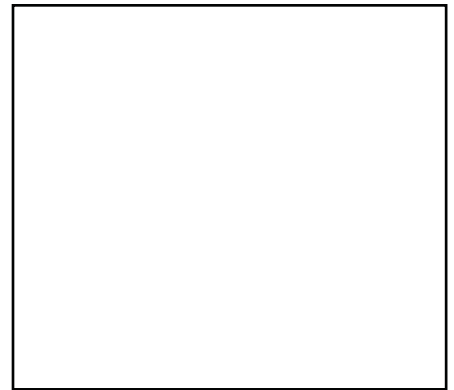
142015
RH BOTTOM DOOR GUIDE
ASSEMBLY (SX-O)



BLANK



BLANK



BLANK



BLANK



BLANK



BLANK



US800638
LH TROLLEY CARRIER APPLIQUE



US800639
RH TROLLEY CARRIER APPLIQUE



US800637
LH DOOR CARRIER APPLIQUE



US800636
RH DOOR CARRIER APPLIQUE



US800635
LH ICU TELESCOPIC
DOOR CARRIER SEAL



US800634
ICU TELESCOPIC
DOOR CARRIER SEAL

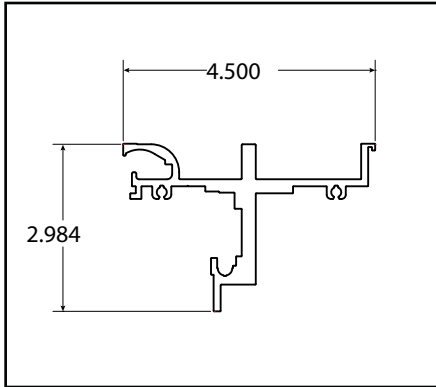


US802582
ICU TELESCOPIC MID
X TROLLEY CARRIER SEAL

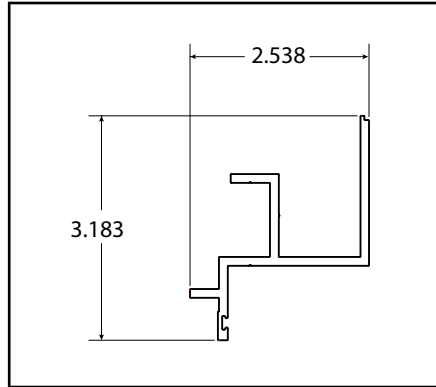


US802583
ICU TROLLEY CARRIER SEAL

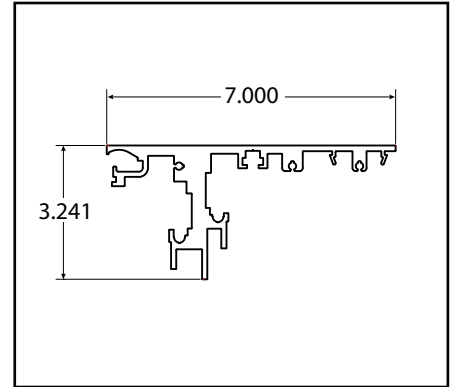




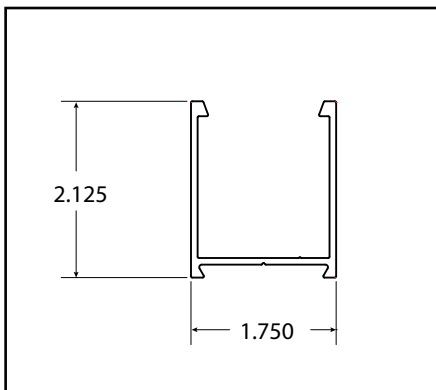
140945
 ICU HEADER COMPONENT HALF



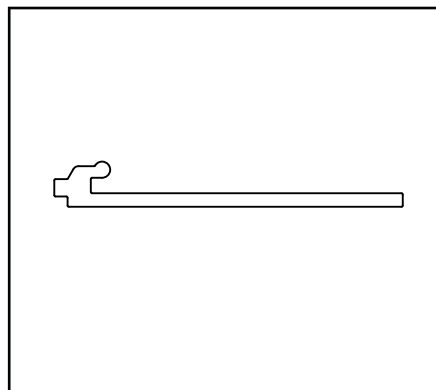
140946
 ICU HEADER BACK HALF



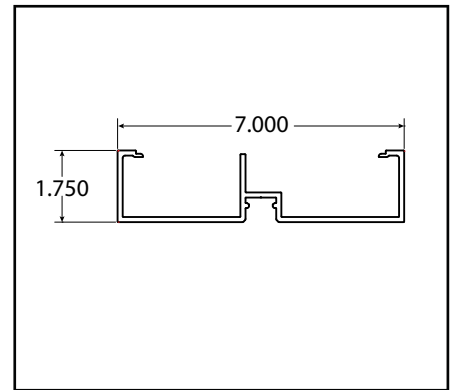
142208
 TX9620, TX9630 TELESCOPE
 HEADER



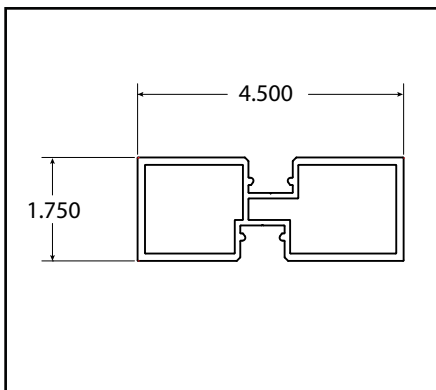
142207
 TX9620, TX9630 TELESCOPE
 HEADER TRIM



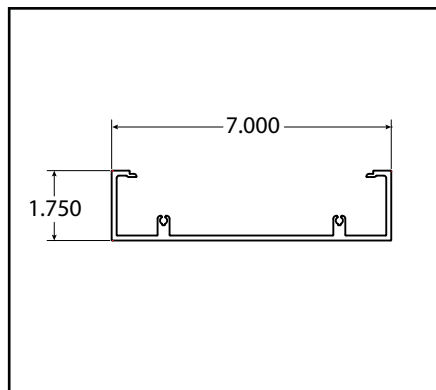
140944
 TX9600, TX9620, TX9630
 HEADER COVER



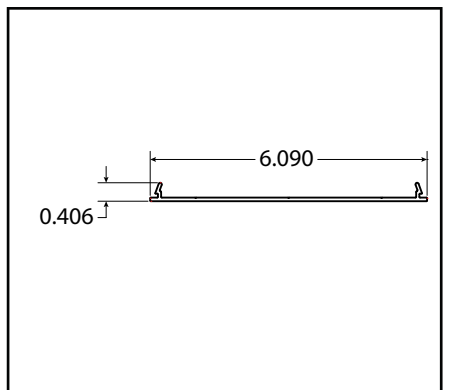
142210
 TX9620, TX9630 TELESCOPE
 JAMB W/ POCKET



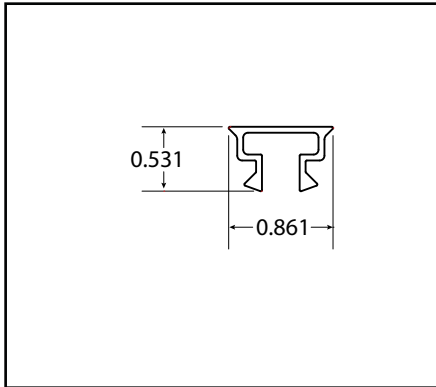
141011
 TX9600 JAMB W/ POCKET



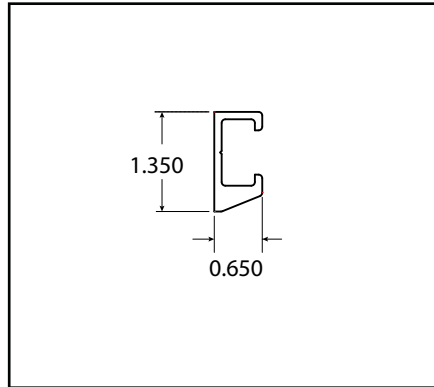
142215
 TX9620, TX9630 TELESCOPE
 TRANSOM HORIZONTAL



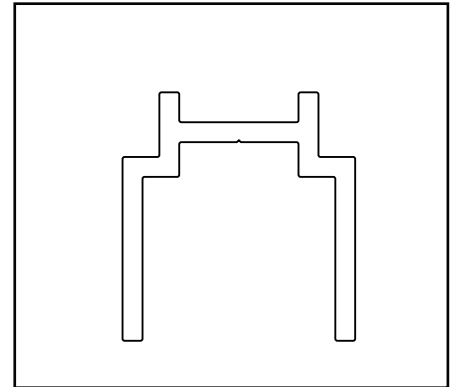
142214
 TX9620, TX9630 TELESCOPE
 JAMB SNAP IN COVER



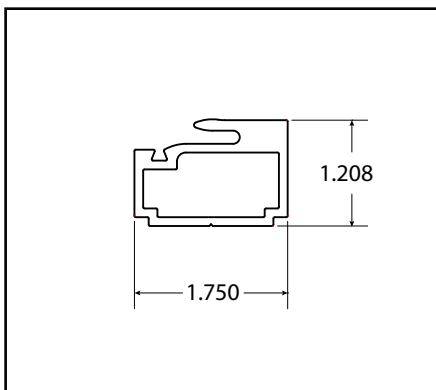
141002
 JAMB POCKET FILLER STRIP



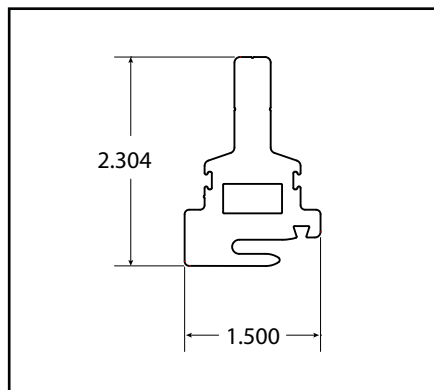
US800431
 TX9630 UPPER ROLLER GUIDE



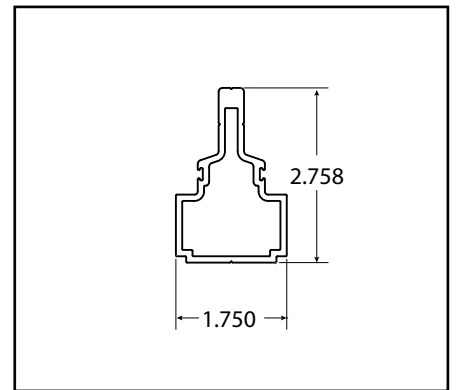
140941
 TX9620TL SO-PANEL
 BOTTOM GUIDE TRACK



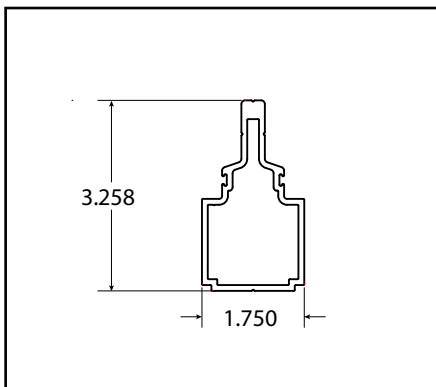
142209
 TX9600, TX9620, TX9630
 SX-PANEL DOOR CARRIER



140935
 TX9600, TX9620, TX9630
 SX-PANEL TROLLEY CARRIER



142211
 TX9620 TELESCOPE LEAD
 X-PANEL TROLLEY CARRIER
 (COVER SIDE)



142212
 TX9620 TELESCOPE MIDDLE
 X-PANEL TROLLEY CARRIER